



RACCORDERIA

FITTINGS
ARMATUREN
RACCORDS
RACORES

RACCORDERIA

La raccorderia inox di nostra produzione è ricavata da pezzi forgiati, microfusi o da barre tonde laminate. In particolare viene fatta molta attenzione nella lavorazione delle parti filettate, onde evitare tensioni nell'avvitamento.

Standard finitura: lucida – satinata.

FITTINGS

Pipe unions are obtained from pieces by hotforging and solubilized, or from rolled material. In order to eliminate seizing during couplings, a particular accuracy is given to male parts working. In order to avoid accidents, during the handling of the pieces, the screw threads ends are removed by mechanical operations.

standard finish: polished - satined

ARMATUREN

Unsere Edelstahlarmaturen werden aus gepressten. Stücke oder runden, gewalzten Stäben gebaut. Besonderes sind wir bei Gewindebearbeitung sehr aufmerksam, um alle mögliche Drücke zu vermeiden.

Fertigdrehen: glanzpoliert und satiniert.

RACCORDS

Les raccords en inox que nous produisons proviennent de pièces forgées, micromoulées ou de barres rondes laminées. L'usinage des parties filetées fait l'objet d'une très grande attention afin d'éviter les tensions lors du vissage.

Finitions standard: brillante - satinée.

RACORES

Los racores de acero inoxidable de nuestra producción se realizan con piezas forjadas, microfundidas o con barras redondas laminadas. En particular, se presta especial atención a la mecanización de las piezas roscadas para prevenir tensiones durante el enroscado.

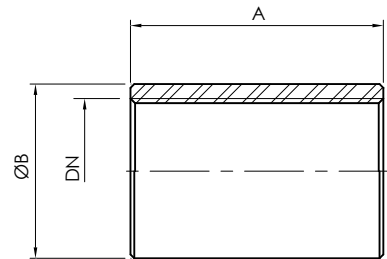
Tipo de acabado: pulido – satinado

Manicotto filettato femmina gas

Full coupling
ISO Innengewinde
Manchon femelle gaz
Manguito hembra gas

art. **152**

| DN | A | Ø B |
|--------|----|------|
| 1/8" | 18 | 15 |
| 1/4" | 18 | 18 |
| 3/8" | 22 | 22 |
| 1/2" | 25 | 27 |
| 3/4" | 30 | 33.7 |
| 1" | 35 | 40 |
| 1 1/4" | 40 | 48 |
| 1 1/2" | 40 | 55 |
| 2" | 45 | 69 |
| 2 1/2" | 50 | 85 |
| 3" | 50 | 100 |
| 3 1/2" | 50 | 110 |
| 4" | 50 | 127 |



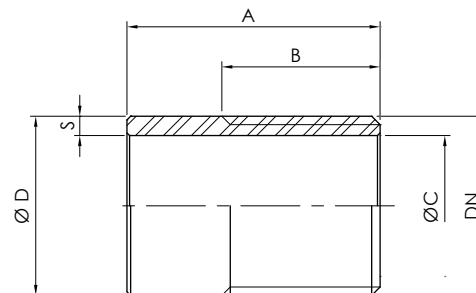
Ver. 04.18

Tronchetto a saldare maschio gas

Weld nipple
ISO Außengewinde
Mâle gaz
Macho soldar gas

art. **156**

| DN | A | B | Ø C | Ø D | S |
|--------|----|----|-------|-------|-----|
| 1/8" | 16 | 9 | 7 | 10 | 1.5 |
| 1/4" | 20 | 11 | 9.7 | 13.7 | 2 |
| 3/8" | 20 | 12 | 13.1 | 17.1 | 2 |
| 1/2" | 25 | 14 | 16.3 | 21.3 | 2.5 |
| 3/4" | 30 | 16 | 20.9 | 26.9 | 3 |
| 1" | 35 | 18 | 27.7 | 33.7 | 3 |
| 1 1/4" | 35 | 18 | 36.4 | 42.4 | 3 |
| 1 1/2" | 40 | 21 | 42.3 | 48.3 | 3 |
| 2" | 45 | 23 | 53.1 | 60.3 | 3.6 |
| 2 1/2" | 45 | 25 | 68.1 | 76.1 | 4 |
| 3" | 50 | 27 | 80.9 | 88.9 | 4 |
| 3 1/2" | 55 | 27 | 93.6 | 101.6 | 4 |
| 4" | 60 | 27 | 105.9 | 114.3 | 4.2 |



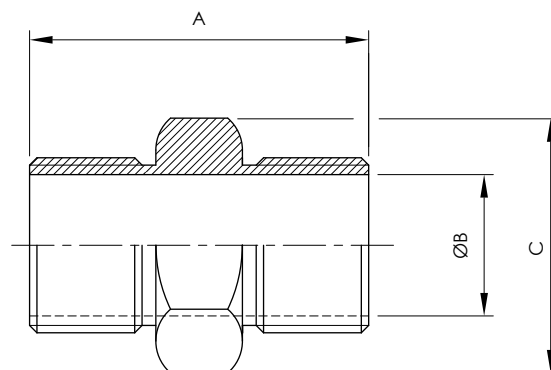
Ver. 04.18

Nipplo

Hexagonal nipple
Sechskant Nippel
Manchon mâle double gaz
M/M Niple

art. **160**

| DN | A | B | C |
|--------|----|----|----|
| 1/4" | 31 | 9 | 19 |
| 3/8" | 34 | 11 | 22 |
| 1/2" | 38 | 15 | 27 |
| 3/4" | 42 | 20 | 32 |
| 1" | 46 | 25 | 41 |
| 1 1/4" | 52 | 32 | 50 |
| 1 1/2" | 55 | 38 | 55 |
| 2" | 60 | 50 | 70 |

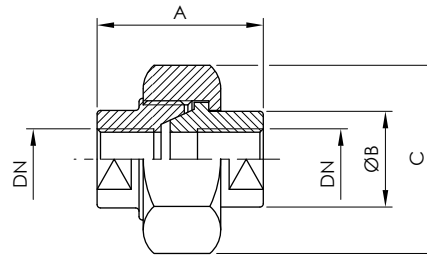


Raccordo a 3 pezzi a sede conica

Conical union seat F/F
 Anschluss Kegelformige
 Raccord femelle - femelle gaz
 Racord gas de 3 piezas con asiento conico rosca interior

 art. **164**

| DN | A | B | C |
|--------|----|----|----|
| 1/4" | 42 | 19 | 32 |
| 3/8" | 45 | 23 | 36 |
| 1/2" | 48 | 28 | 46 |
| 3/4" | 52 | 34 | 50 |
| 1" | 58 | 40 | 55 |
| 1 1/4" | 65 | 50 | 70 |
| 1 1/2" | 70 | 56 | 75 |
| 2" | 78 | 70 | 90 |



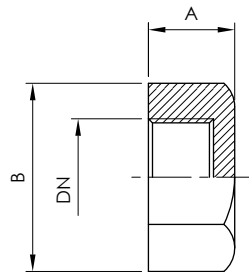
Ver. 04.18

Tappo femmina

Hexagonal cap
 Gewindegeschlittene Deckelnut
 Bouchon femelle pas gaz
 Tapon hembra

 art. **172**

| DN | A | B |
|--------|----|----|
| 1/4" | 14 | 19 |
| 3/8" | 16 | 22 |
| 1/2" | 17 | 27 |
| 3/4" | 20 | 32 |
| 1" | 22 | 41 |
| 1 1/4" | 24 | 50 |
| 1 1/2" | 27 | 55 |
| 2" | 30 | 70 |



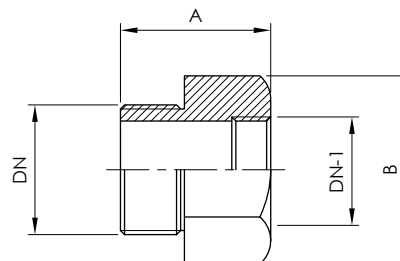
Ver. 04.18

Riduzione maschio - femmina

Male-female reduction
 Reduzierstück Innen-Außengewinde
 Reduction mâle - femelle pas gaz
 Reduccion macho - hembra gas

 art. **176**

| DN | DN-1 | A | B |
|--------|--------|----|----|
| 1/4" | 1/8" | 19 | 19 |
| 3/8" | 1/4" | 21 | 22 |
| 1/2" | 3/8" | 24 | 27 |
| 3/4" | 1/2" | 27 | 32 |
| 1" | 3/4" | 29 | 41 |
| 1 1/4" | 1" | 33 | 50 |
| 1 1/2" | 1 1/4" | 35 | 55 |
| 2" | 1 1/2" | 38 | 70 |



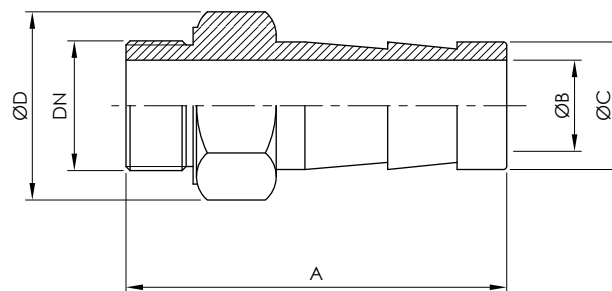
Ver. 04.18

Portagomma maschio

Hose nipple
 ISO Schlauchkegelstutzen
 Nez fileté gaz à ligaturer
 Manguera macho gas

 art. **180**

| DN | A | B | C | D |
|--------|-----|----|----|----|
| 1/4" | 45 | 9 | 13 | 19 |
| 3/8" | 51 | 11 | 17 | 22 |
| 1/2" | 59 | 15 | 21 | 27 |
| 3/4" | 67 | 20 | 27 | 32 |
| 1" | 75 | 25 | 33 | 41 |
| 1 1/4" | 82 | 32 | 42 | 50 |
| 1 1/2" | 90 | 40 | 48 | 55 |
| 2" | 103 | 50 | 60 | 70 |

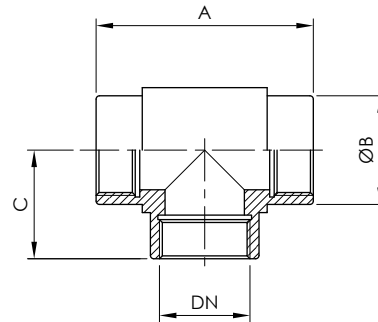


T filettato

Tee female threaded
 T.Stück mit 3xGas Innengewinde
 Té fileté pas gaz
 Té rosca interior gas

art. **184**

| DN | A | B | C |
|--------|-----|----|------|
| 1/4" | 40 | 19 | 20 |
| 3/8" | 47 | 23 | 23.5 |
| 1/2" | 52 | 28 | 26 |
| 3/4" | 64 | 34 | 32 |
| 1" | 76 | 39 | 38 |
| 1 1/4" | 88 | 48 | 44 |
| 1 1/2" | 98 | 58 | 49 |
| 2" | 114 | 68 | 57 |



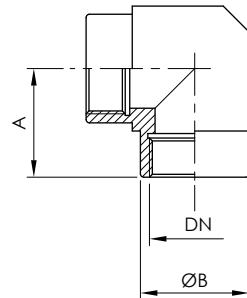
Ver. 04.18

Gomito filettato

90° Elbow female threaded
 90°-Winkelstück
 Coude 90° pas gaz
 Codo rosca interior gas

art. **188**

| DN | A | B |
|--------|------|----|
| 1/4" | 20 | 19 |
| 3/8" | 23.5 | 23 |
| 1/2" | 26 | 28 |
| 3/4" | 32 | 34 |
| 1" | 38 | 39 |
| 1 1/4" | 44 | 48 |
| 1 1/2" | 49 | 58 |
| 2" | 57 | 68 |



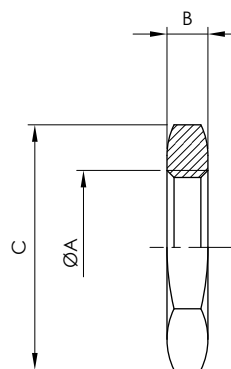
Ver. 04.18

Dado filettato Gas

Hex Nuts
 Gas Nutmutter
 Ecrou fileté gaz
 Tuerca gas

art. **188A**

| DN | A | B | C |
|----|--------|----|----|
| 10 | 1/4" | 6 | 19 |
| 15 | 3/8" | 7 | 22 |
| 15 | 1/2" | 8 | 27 |
| 20 | 3/4" | 9 | 32 |
| 25 | 1" | 10 | 41 |
| 32 | 1 1/4" | 11 | 50 |
| 40 | 1 1/2" | 12 | 55 |
| 50 | 2" | 13 | 70 |



Raccordo SMS completo a mandrinare

SMS expanding union

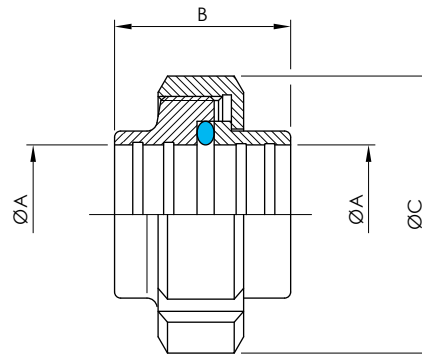
SMS Walz-Verschraubung

Raccord complet à dudgeonner SMS

Racord mandrinar SMS

 art. **189**

| DN | A | B | C |
|-----|------|----|-----|
| 25 | 25.4 | 36 | 51 |
| 38 | 38.1 | 43 | 74 |
| 51 | 50.8 | 43 | 84 |
| 63 | 63.5 | 52 | 100 |
| 76 | 76.2 | 60 | 114 |
| 104 | 104 | 60 | 138 |



Ver. 04.18

Filetto a mandrinare SMS

SMS Expanding male

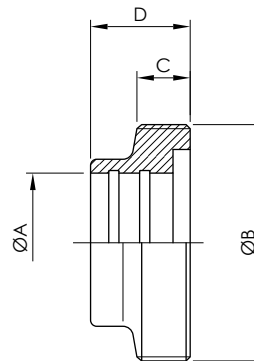
SMS Walz-Gewindestutzen

Nez fileté à dudgeonner SMS

Macho mandrinar SMS

 art. **190**

| DN | A | B | C | D |
|-----|------|----------|----|----|
| 25 | 25.4 | 40x1/6" | 11 | 19 |
| 38 | 38.1 | 60x1/6" | 15 | 23 |
| 51 | 50.8 | 70x1/6" | 15 | 23 |
| 63 | 63.5 | 85x1/6" | 19 | 27 |
| 76 | 76.2 | 98x1/6" | 19 | 30 |
| 104 | 104 | 125x1/6" | 20 | 30 |



Ver. 04.18

Raccordo liscio a mandrinare SMS

SMS Expanding liner

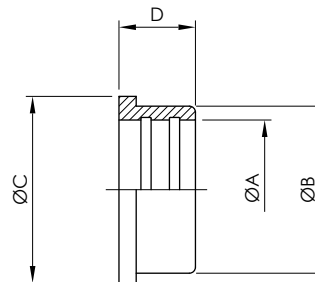
SMS Walz-Kegelstutzen

Piece lisse à dudgeonner SMS

Casquillo mandrinar SMS

 art. **191**

| DN | A | B | C | D |
|-----|------|------|------|----|
| 25 | 25.4 | 31 | 35.5 | 17 |
| 38 | 38.1 | 47 | 55 | 20 |
| 51 | 50.8 | 59 | 65 | 20 |
| 63 | 63.5 | 72.5 | 80 | 25 |
| 76 | 76.2 | 85 | 93 | 30 |
| 104 | 104 | 112 | 118 | 30 |



Ver. 04.18

Girella SMS

SMS Nut

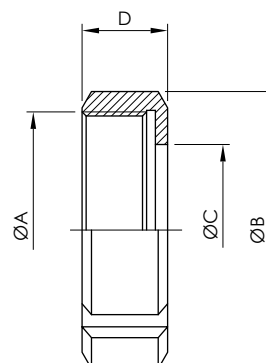
SMS Nutmutter

Ecrou SMS

Tuerca SMS

 art. **192**

| DN | A | B | C | D |
|-----|----------|-----|------|----|
| 25 | 40x1/6" | 51 | 32 | 19 |
| 38 | 60x1/6" | 74 | 48 | 23 |
| 51 | 70x1/6" | 84 | 60.5 | 24 |
| 63 | 85x1/6" | 100 | 74 | 28 |
| 76 | 98x1/6" | 114 | 87 | 30 |
| 104 | 125x1/6" | 138 | 113 | 31 |

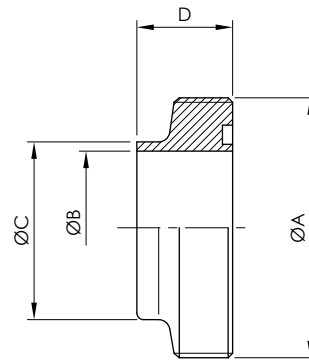


art. **193**

Filetto a saldare SMS

SMS Welding male
SMS S-Gewindestutzen
Nez à souder SMS
Macho soldar SMS

| DN | A | B | C | D |
|-----|----------|------|------|----|
| 25 | 40x1/6" | 22.5 | 25 | 19 |
| 38 | 60x1/6" | 35.5 | 38 | 23 |
| 51 | 70x1/6" | 48.5 | 51 | 23 |
| 63 | 85x1/6" | 60.5 | 63.5 | 27 |
| 76 | 98x1/6" | 72.9 | 76.1 | 30 |
| 104 | 125x1/6" | 100 | 104 | 30 |

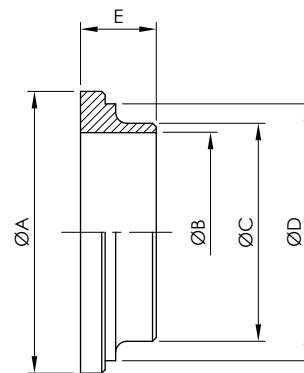


Ver. 04.18

Bocchettone liscio a saldare SMS

SMS Welding liner
SMS S-Kegelstutzen
Douille à souder SMS
Casquillo soldar SMS

| DN | A | B | C | D | E |
|-----|------|------|------|-------|------|
| 25 | 35.5 | 22.5 | 25 | 32 | 15.5 |
| 38 | 55 | 35.5 | 38 | 47.8 | 16 |
| 51 | 65 | 48.5 | 51 | 60.3 | 17 |
| 63 | 80 | 60.5 | 63.5 | 73.4 | 17 |
| 76 | 93 | 72.9 | 76.1 | 86.4 | 19 |
| 104 | 118 | 100 | 104 | 112.4 | 19 |

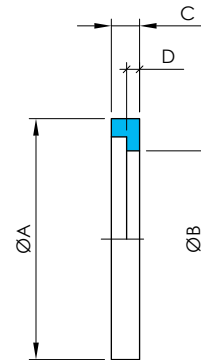

 art. **194**

Ver. 04.18

Guarnizione SMS

SMS Union seal
SMS Dichtring
Joint de raccord SMS
Junta racord SMS

| DN | A | B | C | D |
|-----|------|------|-----|-----|
| 25 | 32 | 25 | 5.5 | 2.3 |
| 38 | 48 | 38 | 5.5 | 2.3 |
| 51 | 61 | 51 | 5.5 | 2.3 |
| 63 | 73.5 | 63.5 | 5.5 | 2.3 |
| 76 | 86 | 76 | 5.5 | 2.3 |
| 104 | 116 | 104 | 5.5 | 2.3 |

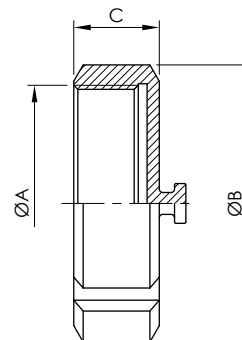

 art. **195**

Ver. 04.18

Tappo SMS

SMS Blind nut
SMS Blindmutter
Ecrou bouchon SMS
Tuerca ciega SMS

| DN | A | B | C |
|-----|----------|-----|----|
| 25 | 40x1/6" | 51 | 19 |
| 38 | 60x1/6" | 74 | 23 |
| 51 | 70x1/6" | 84 | 24 |
| 63 | 85x1/6" | 100 | 28 |
| 76 | 98x1/6" | 114 | 30 |
| 104 | 125x1/6" | 140 | 31 |

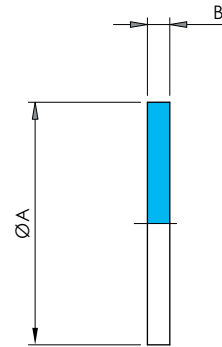

 art. **195A**

Guarnizione per tappo SMS

SMS Seal disc
 SMS Dichtscheibe
 Joint pour bouchon SMS
 Junta plana SMS

 art. **195B**

| DN | A | B |
|-----|-----|-----|
| 25 | 35 | 5.5 |
| 38 | 55 | 5.5 |
| 51 | 65 | 5.5 |
| 63 | 80 | 5.5 |
| 76 | 93 | 5.5 |
| 104 | 118 | 5.5 |



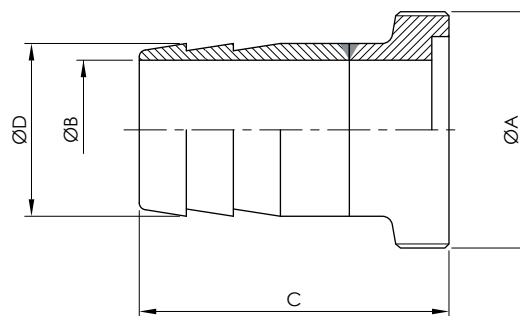
Ver. 04.18

Portagomma femmina filettato SMS

SMS hose male part light
 SMS Schlauchgewindestutzen Rohr
 Nez fileté à ligaturer SMS
 Manguito manguera macho tubo SMS

 art. **195C**

| DN | A | B | C | D |
|-----|----------|------|-----|------|
| 25 | 40x1/6" | 22 | 69 | 28.6 |
| 38 | 60x1/6" | 35 | 81 | 41.3 |
| 51 | 70x1/6" | 47.5 | 92 | 54 |
| 63 | 85x1/6" | 60 | 111 | 66.7 |
| 76 | 98x1/6" | 72.2 | 116 | 79.4 |
| 104 | 125x1/6" | 97.6 | 125 | 109 |



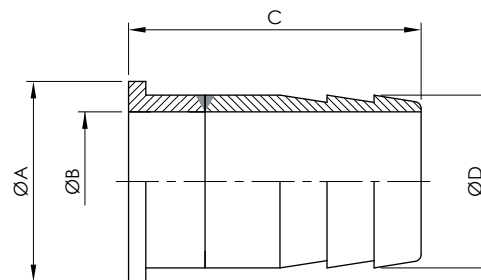
Ver. 04.18

Portagomma maschio SMS

SMS hose liner light
 SMS Schlauchkegelstutzen Rohr
 Douille à ligaturer SMS
 Manguito manguera casquillo tubo SMS

 art. **195E**

| DN | A | B | C | D |
|-----|------|------|------|------|
| 25 | 35.5 | 22 | 56.5 | 28.6 |
| 38 | 55 | 35 | 67 | 41.3 |
| 51 | 65 | 47.5 | 76 | 54 |
| 63 | 80 | 60 | 90 | 66.7 |
| 76 | 93 | 72.2 | 91 | 79.4 |
| 104 | 118 | 97.6 | 109 | 109 |



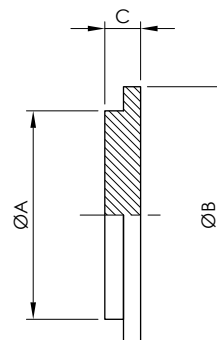
Ver. 04.18

Tappo maschio cieco SMS

SMS Blind liner
 SMS Blindkegel
 Fond d'écrou SMS
 Casquillo ciego SMS

 art. **195F**

| DN | A | B | C |
|-----|------|------|----|
| 25 | 32 | 35.5 | 7 |
| 38 | 48 | 55 | 8 |
| 51 | 60 | 65 | 9 |
| 63 | 73.5 | 80 | 9 |
| 76 | 86 | 93 | 11 |
| 104 | 112 | 118 | 12 |



Raccordo completo a mandrinare DIN

DIN Expanding union

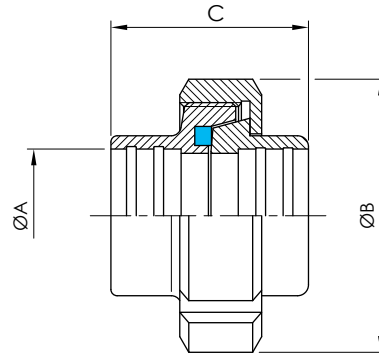
DIN Walz-Verschraubung

Raccord complet à dudgeonner DIN

Racord mandrinar DIN

 art. **196**

| DN | A | B | C |
|-----|-------|-----|----|
| 10 | 12.2 | 38 | 38 |
| 15 | 18.2 | 44 | 38 |
| 20 | 22.2 | 54 | 42 |
| 25 | 28.2 | 63 | 51 |
| 32 | 34.2 | 70 | 57 |
| 40 | 40.2 | 78 | 59 |
| 50 | 52.2 | 92 | 63 |
| 60 | 60.3 | 100 | 64 |
| 65 | 70.3 | 112 | 72 |
| 80 | 85.3 | 127 | 82 |
| 100 | 104.3 | 148 | 98 |



Ver. 04.18

Raccordo femmina a mandrinare DIN

DIN expanding male

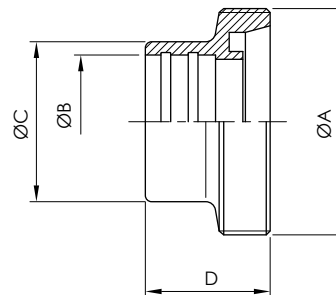
DIN Walz-Gewindestutzen

Nez fileté à dudgeonner DIN

Macho mandrinar DIN

 art. **200**

| DN | A | B | C | D |
|-----|-------------|-------|-----|----|
| 10 | Rd28x1/8" | 12.2 | 18 | 21 |
| 15 | Rd34x1/8" | 18.2 | 24 | 21 |
| 20 | Rd44x1/6" | 22.2 | 30 | 24 |
| 25 | Rd52x1/6" | 28.2 | 35 | 29 |
| 32 | Rd58x1/6" | 34.2 | 41 | 32 |
| 40 | Rd65x1/6" | 40.2 | 48 | 33 |
| 50 | Rd78x1/6" | 52.2 | 61 | 35 |
| 60 | Rd84.5x1/6" | 60.3 | 68 | 38 |
| 65 | Rd95x1/6" | 70.3 | 79 | 40 |
| 80 | Rd110x1/4" | 85.3 | 93 | 45 |
| 100 | Rd130x1/4" | 104.3 | 114 | 54 |



Ver. 04.18

Raccordo maschio a mandrinare DIN

DIN expanding liner

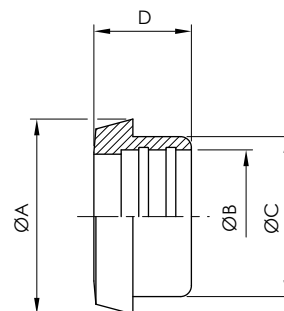
DIN Walz-Kegelstutzen

Douille à dudgeonner DIN

Casquillo mandrinar DIN

 art. **204**

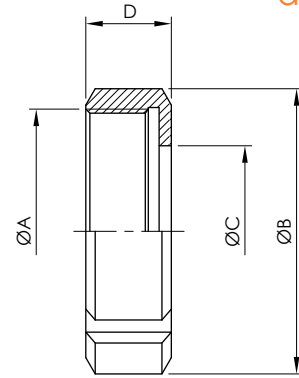
| DN | A | B | C | D |
|-----|-----|-------|-----|----|
| 10 | 22 | 12.2 | 18 | 17 |
| 15 | 28 | 18.2 | 24 | 17 |
| 20 | 36 | 22.2 | 30 | 18 |
| 25 | 44 | 28.2 | 35 | 22 |
| 32 | 50 | 34.2 | 41 | 25 |
| 40 | 56 | 40.2 | 48 | 26 |
| 50 | 68 | 52.2 | 61 | 28 |
| 60 | 76 | 60.3 | 68 | 31 |
| 65 | 86 | 70.3 | 79 | 32 |
| 80 | 100 | 85.3 | 93 | 37 |
| 100 | 121 | 104.3 | 114 | 44 |



| DN | A | B | C | D |
|-----|-------------|-----|-----|----|
| 10 | Rd28x1/8" | 38 | 19 | 18 |
| 15 | Rd34x1/8" | 44 | 25 | 18 |
| 20 | Rd44x1/6" | 54 | 31 | 20 |
| 25 | Rd52x1/6" | 63 | 36 | 21 |
| 32 | Rd58x1/6" | 70 | 42 | 21 |
| 40 | Rd65x1/6" | 78 | 49 | 21 |
| 50 | Rd78x1/6" | 92 | 62 | 22 |
| 60 | Rd84,5x1/6" | 100 | 70 | 24 |
| 65 | Rd95x1/6" | 112 | 80 | 25 |
| 80 | Rd110x1/4" | 127 | 94 | 29 |
| 100 | Rd130x1/4" | 148 | 115 | 31 |
| 125 | Rd160x1/4" | 178 | 138 | 35 |
| 150 | Rd190x1/4" | 210 | 164 | 41 |

Girella DIN
 DIN Nut
 DIN Nutmutter
 Ecrou à crans DIN
 Tuerca DIN

art. 208

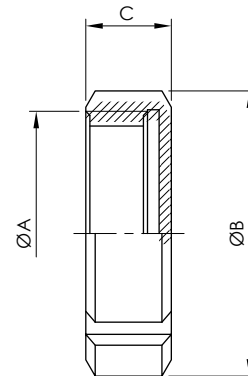


Ver. 04.18

| DN | A | B | C |
|-----|-------------|-----|----|
| 10 | Rd28x1/8" | 38 | 18 |
| 15 | Rd34x1/8" | 44 | 18 |
| 20 | Rd44x1/6" | 54 | 20 |
| 25 | Rd52x1/6" | 63 | 21 |
| 32 | Rd58x1/6" | 70 | 21 |
| 40 | Rd65x1/6" | 78 | 21 |
| 50 | Rd78x1/6" | 92 | 22 |
| 60 | Rd84,5x1/6" | 100 | 24 |
| 65 | Rd95x1/6" | 112 | 25 |
| 80 | Rd110x1/4" | 127 | 29 |
| 100 | Rd130x1/4" | 148 | 31 |
| 125 | Rd160x1/4" | 178 | 35 |
| 150 | Rd190x1/4" | 210 | 41 |

Girella cieca DIN
 DIN Blind nut
 DIN Blindmutter
 Bouchon DIN
 Tuerca ciega DIN

art. 212

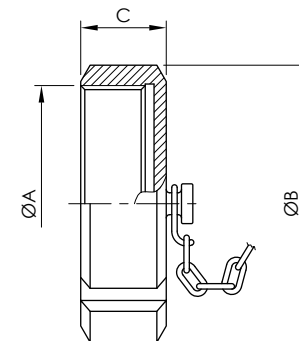


Ver. 04.18

| DN | A | B | C |
|-----|-------------|-----|----|
| 10 | Rd28x1/8" | 38 | 18 |
| 15 | Rd34x1/8" | 44 | 18 |
| 20 | Rd44x1/6" | 54 | 20 |
| 25 | Rd52x1/6" | 63 | 21 |
| 32 | Rd58x1/6" | 70 | 21 |
| 40 | Rd65x1/6" | 78 | 21 |
| 50 | Rd78x1/6" | 92 | 22 |
| 60 | Rd84,5x1/6" | 100 | 24 |
| 65 | Rd95x1/6" | 112 | 25 |
| 80 | Rd110x1/4" | 127 | 29 |
| 100 | Rd130x1/4" | 148 | 31 |
| 125 | Rd160x1/4" | 178 | 35 |
| 150 | Rd190x1/4" | 210 | 41 |

Girella cieca DIN con catena
 DIN complete Blind nut
 DIN Blindmutter mit Kette
 Bouchon DIN avec chaînette
 Tuerca ciega DIN completa

art. 213

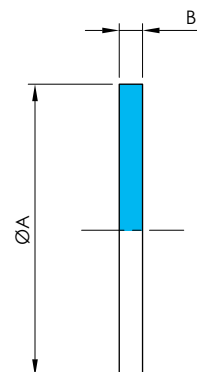


Ver. 04.18

| DN | A | B |
|-----|------|---|
| 10 | 28 | 4 |
| 15 | 34 | 4 |
| 20 | 44 | 4 |
| 25 | 52 | 5 |
| 32 | 58 | 5 |
| 40 | 65 | 5 |
| 50 | 78 | 5 |
| 60 | 84,5 | 5 |
| 65 | 95 | 5 |
| 80 | 110 | 5 |
| 100 | 130 | 5 |
| 125 | 160 | 5 |
| 150 | 190 | 5 |

Guarnizione per tappo DIN
 DIN Seal disc
 DIN Dichtscheibe
 Joint pour bouchon DIN
 Junta plana DIN

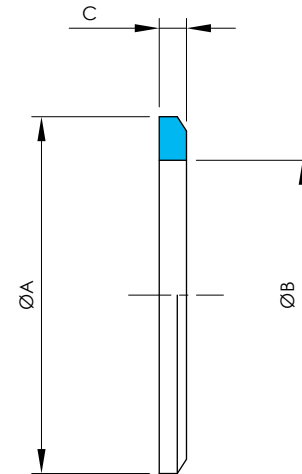
art. 214



| DN | A | B | C |
|-----|-----|-----|---|
| 10 | 20 | 12 | 4 |
| 15 | 26 | 18 | 4 |
| 20 | 33 | 23 | 4 |
| 25 | 40 | 30 | 5 |
| 32 | 46 | 36 | 5 |
| 40 | 52 | 42 | 5 |
| 50 | 64 | 54 | 5 |
| 60 | 72 | 62 | 5 |
| 65 | 81 | 71 | 5 |
| 80 | 95 | 85 | 5 |
| 100 | 114 | 104 | 5 |
| 125 | 142 | 125 | 5 |
| 150 | 167 | 155 | 5 |

Guarnizione per raccordo DIN

DIN Union seal
DIN Dichtring
Joint de raccord DIN
Junta racord DIN

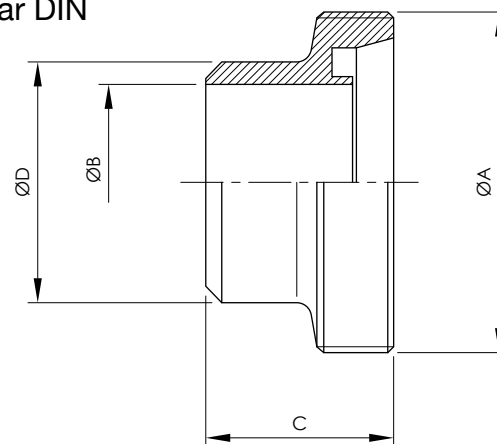
 art. **216**


Ver. 04.18

| DN | A | B | C | D |
|-----|-------------|-----|----|-----|
| 10 | Rd28x1/8" | 10 | 21 | 15 |
| 15 | Rd34x1/8" | 16 | 21 | 21 |
| 20 | Rd44x1/6" | 20 | 24 | 25 |
| 25 | Rd52x1/6" | 26 | 29 | 31 |
| 32 | Rd58x1/6" | 32 | 32 | 37 |
| 40 | Rd65x1/6" | 38 | 33 | 43 |
| 50 | Rd78x1/6" | 50 | 35 | 55 |
| 60 | Rd84,5x1/6" | 57 | 36 | 68 |
| 65 | Rd95x1/6" | 66 | 40 | 72 |
| 80 | Rd110x1/4" | 81 | 45 | 87 |
| 100 | Rd130x1/4" | 100 | 54 | 106 |
| 125 | Rd160x1/4" | 125 | 46 | 132 |
| 150 | Rd190x1/4" | 150 | 50 | 157 |

Femmina a saldare DIN

DIN Welding male
DIN S-Gewindestutzen
Nez fileté à souder DIN
Macho soldar DIN

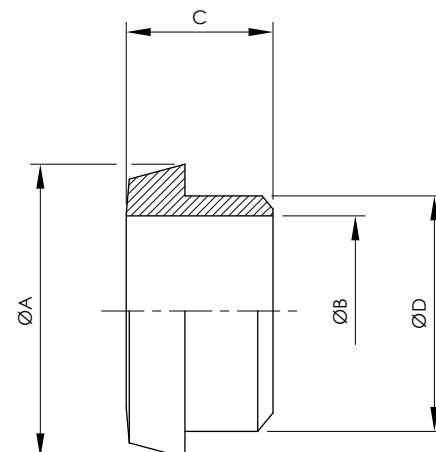
 art. **220**


Ver. 04.18

| DN | A | B | C | D |
|-----|------|-----|----|-----|
| 10 | 22.5 | 10 | 17 | 15 |
| 15 | 28.5 | 16 | 17 | 21 |
| 20 | 36.5 | 20 | 18 | 25 |
| 25 | 44 | 26 | 22 | 31 |
| 32 | 50 | 32 | 25 | 37 |
| 40 | 56 | 38 | 26 | 43 |
| 50 | 68 | 50 | 28 | 55 |
| 60 | 76 | 57 | 31 | 68 |
| 65 | 86 | 66 | 32 | 72 |
| 80 | 100 | 81 | 37 | 87 |
| 100 | 121 | 100 | 44 | 106 |
| 125 | 150 | 125 | 34 | 132 |
| 150 | 176 | 150 | 37 | 157 |

Raccordo maschio DIN a saldare

DIN Welding liner
DIN S-Kegelstutzen
Douille à souder DIN
Casquillo soldar DIN

 art. **224**


Tappo maschio cieco DIN

DIN Blind liner

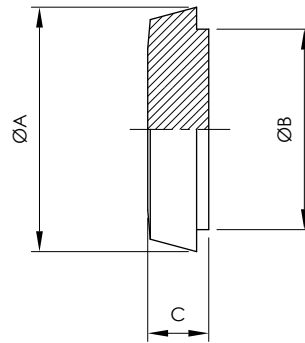
DIN Blindkegel

Fond d'écrou DIN

Casquillo ciego DIN

 art. **225**

| DN | A | B | C |
|-----|-----|-----|----|
| 10 | 22 | 18 | 9 |
| 15 | 28 | 24 | 9 |
| 20 | 36 | 30 | 11 |
| 25 | 44 | 35 | 13 |
| 32 | 50 | 41 | 13 |
| 40 | 56 | 48 | 13 |
| 50 | 68 | 61 | 14 |
| 60 | 76 | 68 | 16 |
| 65 | 86 | 79 | 16 |
| 80 | 100 | 93 | 16 |
| 100 | 121 | 114 | 20 |



Ver. 04.18

Potagomma femmina DIN

DIN Hose male part light

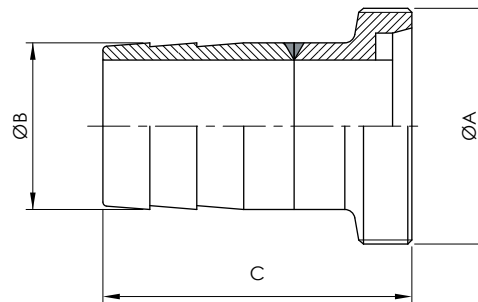
DIN Schlauchgewindestutzen

Nez fileté à ligaturer DIN

Manguito manguera macho tubo DIN

 art. **228**

| DN | A | B | C |
|-----|-----------|-----|-----|
| 10 | 28x1/8" | 15 | 42 |
| 15 | 34x1/8" | 18 | 42 |
| 20 | 44x1/6" | 20 | 44 |
| 25 | 52x1/6" | 25 | 70 |
| 32 | 58x1/6" | 35 | 76 |
| 40 | 65x1/6" | 40 | 84 |
| 50 | 78x1/6" | 50 | 93 |
| 60 | 84,5x1/6" | 60 | 110 |
| 65 | 95x1/6" | 70 | 110 |
| 80 | 110x1/4" | 80 | 116 |
| 100 | 130x1/4" | 100 | 147 |



Ver. 04.18

Portagomma maschio DIN

DIN Hose liner light

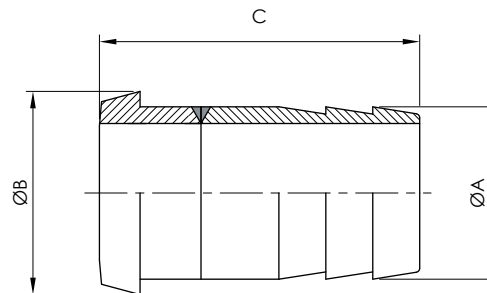
DIN Schlauchkegelstutzen

Douille à ligaturer DIN

Manguito manguera casquillo tubo DIN

 art. **232**

| DN | A | B | C |
|-----|-----|------|-----|
| 10 | 15 | 22.5 | 36 |
| 15 | 18 | 28.5 | 36 |
| 20 | 20 | 36.5 | 38 |
| 25 | 25 | 44 | 63 |
| 32 | 35 | 50 | 69 |
| 40 | 40 | 56 | 77 |
| 50 | 50 | 68 | 86 |
| 60 | 60 | 76 | 104 |
| 65 | 70 | 86 | 104 |
| 80 | 80 | 100 | 109 |
| 100 | 100 | 121 | 138 |



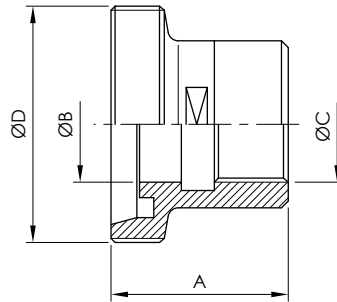
Le informazioni contenute in questo documento sono puramente indicative e non impegnative, l'azienda si riserva il diritto di modificarle senza obbligo di preavviso.
 The informations provided in this document are intended for informational purposes only and are subject to change without notice.

Riduzione femmina DIN - femmina gas

 art. **236**

Female male part adapter DIN - gas
 Gewinde Aufschraubstutzen DIN/ISO
 Raccord fileté DIN - femelle pas gaz
 Macho DIN - Hembra gas

| DN | A | B | C | D |
|-----|----|-----|------|----------|
| 25 | 31 | 26 | 1"G | 52x1/6" |
| 32 | 35 | 32 | 1¼"G | 58x1/6" |
| 40 | 35 | 38 | 1½"G | 65x1/6" |
| 50 | 40 | 50 | 2"G | 78x1/6" |
| 65 | 42 | 66 | 2½"G | 95x1/6" |
| 80 | 45 | 81 | 3"G | 110x1/4" |
| 90 | 52 | 85 | 3½"G | 130x1/4" |
| 100 | 52 | 100 | 4"G | 130x1/4" |



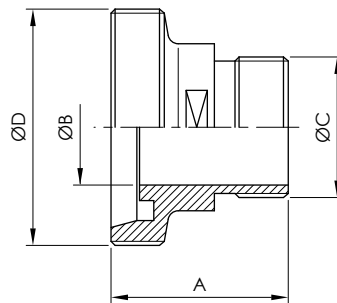
Ver. 04.18

Riduzione Femmina DIN - maschio gas

 art. **240**

Male part adapter DIN - gas
 Gewinde Einschraubstutzen DIN/ISO
 Raccord fileté DIN - mâle pas gaz
 Macho DIN - Macho gas

| DN | A | B | C | D |
|-----|----|-----|------|----------|
| 25 | 50 | 26 | 1"G | 52x1/6" |
| 32 | 50 | 32 | 1¼"G | 58x1/6" |
| 40 | 50 | 38 | 1½"G | 65x1/6" |
| 50 | 50 | 50 | 2"G | 78x1/6" |
| 65 | 52 | 66 | 2½"G | 95x1/6" |
| 80 | 56 | 81 | 3"G | 110x1/4" |
| 90 | 56 | 85 | 3½"G | 130x1/4" |
| 100 | 56 | 100 | 4"G | 130x1/4" |



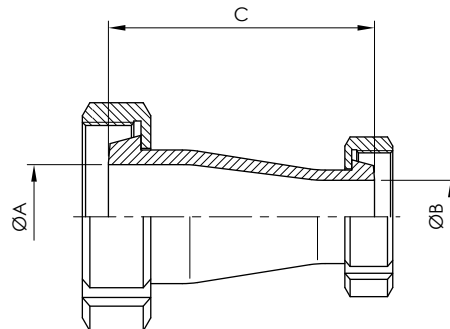
Ver. 04.18

Riduzione maschio - girella DIN

 art. **244**

Reducer DIN nut and liner ends
 Reduzierstück DIN 2xKM
 Réduction double femelle DIN
 Reduccion tuerca - tuerca DIN

| DN | A | B | C |
|-------|----|----|-----|
| 32/25 | 31 | 25 | 94 |
| 40/25 | 37 | 25 | 115 |
| 40/32 | 37 | 31 | 101 |
| 50/32 | 49 | 31 | 142 |
| 50/40 | 49 | 37 | 125 |
| 65/50 | 66 | 49 | 148 |



Riduzione femmina DIN

Reducer DIN male ends

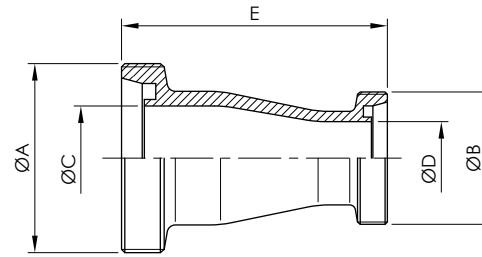
Reduzierstück DIN 2xGew

Réduction double mâle DIN

Reduccion macho - macho DIN

 art. **248**

| DN | A | B | C | D | E |
|--------------|-----------|-----------|----|----|-----|
| 32/25 | Rd58x1/6" | Rd52x1/6" | 31 | 25 | 94 |
| 40/25 | Rd65x1/6" | Rd52x1/6" | 37 | 25 | 115 |
| 40/32 | Rd65x1/6" | Rd58x1/6" | 37 | 31 | 101 |
| 50/32 | Rd78x1/6" | Rd58x1/6" | 49 | 31 | 142 |
| 50/40 | Rd78x1/6" | Rd65x1/6" | 49 | 37 | 125 |
| 65/50 | Rd95x1/6" | Rd78x1/6" | 66 | 49 | 149 |



Ver. 04.18

Riduzione maschio girella - femmina DIN

Reducer DIN male - nut and liner end

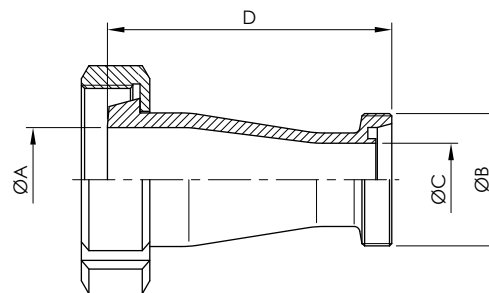
Reduzierstück DIN KM/G

Réduction mâle - femelle DIN

Reduccion tuerca - macho DIN

 art. **252**

| DN | A | B | C | D |
|--------------|----|-----------|----|-----|
| 32/25 | 31 | Rd52x1/6" | 25 | 94 |
| 40/25 | 37 | Rd52x1/6" | 25 | 115 |
| 40/32 | 37 | Rd58x1/6" | 31 | 101 |
| 50/32 | 49 | Rd58x1/6" | 31 | 142 |
| 50/40 | 49 | Rd65x1/6" | 37 | 125 |
| 65/50 | 66 | Rd78x1/6" | 49 | 149 |



Ver. 04.18

Tee 3 attacchi femmina DIN

Tee DIN male ends

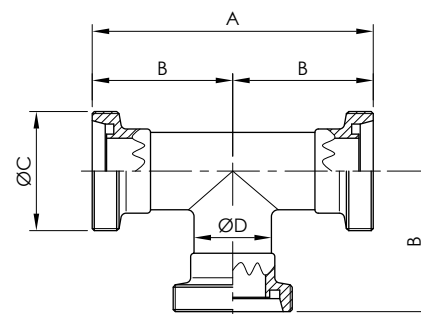
T.Stück DIN 3xGewinde

Té sorties mâle DIN

Té macho DIN

 art. **256**

| DN | A | B | C | D |
|------------|-----|-----|------------|-----|
| 25 | 114 | 57 | Rd52x1/6" | 28 |
| 32 | 124 | 62 | Rd58x1/6" | 34 |
| 40 | 132 | 66 | Rd65x1/6" | 40 |
| 50 | 152 | 76 | Rd78x1/6" | 52 |
| 65 | 174 | 87 | Rd95x1/6" | 70 |
| 80 | 198 | 99 | Rd110x1/4" | 85 |
| 100 | 218 | 109 | Rd130x1/4" | 104 |



Tee 2 attacchi femmina DIN - 1 maschio girella DIN

 art. **260**

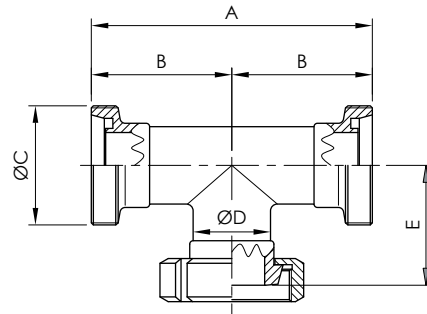
Tee fitting, 2 males - 1 nut and liner DIN

T.Stück DIN G/G - KM

Té 2 sorties mâle DIN - 1 femelle mobile DIN

Té macho - macho/tuerca DIN

| DN | A | B | C | D | E |
|-----|-----|-----|------------|-----|-----|
| 25 | 114 | 57 | Rd52x1/6" | 28 | 57 |
| 32 | 124 | 62 | Rd58x1/6" | 34 | 62 |
| 40 | 132 | 66 | Rd65x1/6" | 40 | 66 |
| 50 | 152 | 76 | Rd78x1/6" | 52 | 76 |
| 65 | 174 | 87 | Rd95x1/6" | 70 | 87 |
| 80 | 198 | 99 | Rd110x1/4" | 85 | 99 |
| 100 | 218 | 109 | Rd130x1/4" | 104 | 109 |



Ver. 04.18

Tee 2 attacchi maschio girella DIN - 1 femmina DIN

 art. **264**

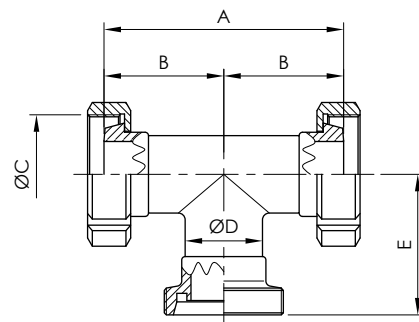
Tee fitting 1 male end - 2 nut and liner ends DIN

T.Stück DIN KG/KG - G

Té 1 raccord mâle - 2 femelle mobile DIN

Té tuerca - tuerca/macho DIN

| DN | A | B | C | D | E |
|-----|-----|-----|------------|-----|-----|
| 25 | 114 | 57 | Rd52x1/6" | 28 | 57 |
| 32 | 124 | 62 | Rd58x1/6" | 34 | 62 |
| 40 | 132 | 66 | Rd65x1/6" | 40 | 66 |
| 50 | 152 | 76 | Rd78x1/6" | 52 | 76 |
| 65 | 174 | 87 | Rd95x1/6" | 70 | 87 |
| 80 | 198 | 99 | Rd110x1/4" | 85 | 99 |
| 100 | 218 | 109 | Rd130x1/4" | 104 | 109 |



Ver. 04.18

Curva 45° femmina DIN

 art. **276**

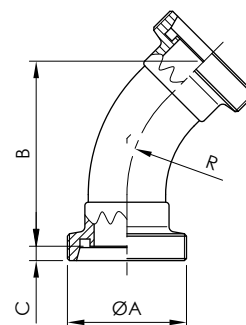
45° Bend DIN male ends

Bogen 45° DIN G/G

Coude 45° mâle DIN

Codo 45° macho - macho DIN

| DN | A | B | C | R |
|-----|------------|-------|----|-----|
| 25 | Rd52x1/6" | 96 | 7 | 50 |
| 32 | Rd58x1/6" | 105.6 | 7 | 55 |
| 40 | Rd65x1/6" | 110 | 7 | 60 |
| 50 | Rd78x1/6" | 124 | 7 | 70 |
| 65 | Rd95x1/6" | 130.5 | 8 | 80 |
| 80 | Rd110x1/4" | 146 | 8 | 90 |
| 100 | Rd130x1/4" | 180 | 10 | 100 |



Curva 45° maschio girella - femmina DIN

45° Bend DIN nut and liner - male end

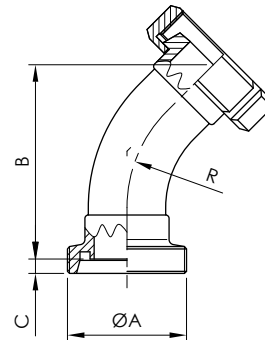
Bogen 45° DIN KM/G

Coude 45° mâle - femelle DIN

Codo 45° tuerca - macho DIN

 art. **280**

| DN | A | B | C | R |
|-----|------------|-------|----|-----|
| 25 | Rd52x1/6" | 91 | 7 | 50 |
| 32 | Rd58x1/6" | 100.3 | 7 | 55 |
| 40 | Rd65x1/6" | 104.5 | 7 | 60 |
| 50 | Rd78x1/6" | 118.5 | 7 | 70 |
| 65 | Rd95x1/6" | 124.5 | 8 | 80 |
| 80 | Rd110x1/4" | 140.7 | 8 | 90 |
| 100 | Rd130x1/4" | 173.7 | 10 | 100 |



Ver. 04.18

Curva 90° femmina DIN

Elbow 90° female DIN fittings

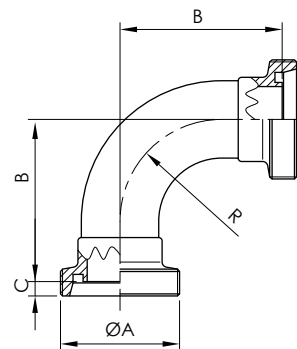
Bogen 90° DIN G/G

Coude 90° mâle DIN

Codo 90° macho - macho DIN

 art. **288**

| DN | A | B | C | R |
|-----|------------|-----|----|-----|
| 25 | Rd52x1/6" | 77 | 7 | 50 |
| 32 | Rd58x1/6" | 85 | 7 | 55 |
| 40 | Rd65x1/6" | 92 | 7 | 60 |
| 50 | Rd78x1/6" | 103 | 7 | 70 |
| 65 | Rd95x1/6" | 117 | 8 | 80 |
| 80 | Rd110x1/4" | 132 | 8 | 90 |
| 100 | Rd130x1/4" | 149 | 10 | 100 |



Ver. 04.18

Curva 90° attacchi completi DIN

90° Bend DIN Union ends

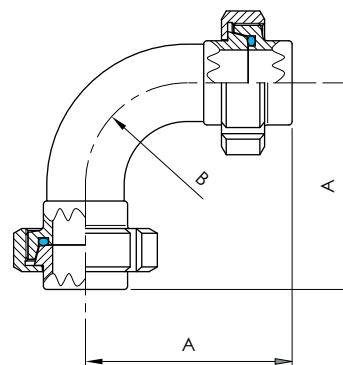
Bogen 90° DIN KMG - KMG

Coude 90° à raccords complet DIN

Codo 90° racord completo DIN

 art. **296**

| DN | A | B |
|-----|-----|-----|
| 25 | 99 | 50 |
| 32 | 110 | 55 |
| 40 | 118 | 60 |
| 50 | 131 | 70 |
| 65 | 149 | 80 |
| 80 | 169 | 90 |
| 100 | 193 | 100 |



Raccordo completo macon

Complete macon fittings to be welded

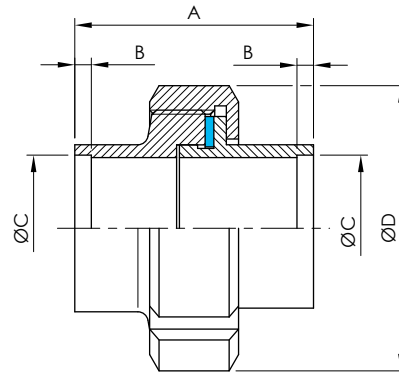
Macon Komplett Verschraubung

Raccord complet macon à souder

Racord soldar completo macon

 art. **300**

| DN | A | B | C | D |
|-----|----|---|-----|-----|
| 40 | 54 | 5 | 43 | 70 |
| 50 | 54 | 5 | 53 | 80 |
| 60 | 54 | 5 | 63 | 92 |
| 70 | 54 | 5 | 73 | 105 |
| 80 | 54 | 5 | 83 | 116 |
| 100 | 54 | 5 | 103 | 140 |



Ver. 04.18

Raccordo filettato macon a saldare

Macon welding male

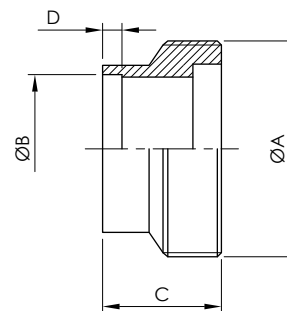
Macon Gewindestutzen

Nez filete à souder

Macho macon soldar

 art. **301**

| DN | A | B | C | D |
|-----|---------|-----|----|---|
| 40 | M55x3 | 43 | 28 | 5 |
| 50 | M67x3 | 53 | 28 | 5 |
| 60 | M79x3.5 | 63 | 28 | 5 |
| 70 | M90x3.5 | 73 | 28 | 5 |
| 80 | M102x4 | 83 | 28 | 5 |
| 100 | M125x4 | 103 | 28 | 5 |



Ver. 04.18

Raccordo maschio macon a saldare

Macon welding liner

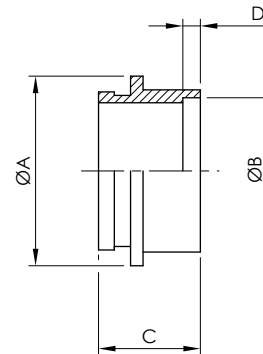
Macon Kegelstutzen

Douille à souder

Casquillo macon soldar

 art. **302**

| DN | A | B | C | D |
|-----|-----|-----|----|---|
| 40 | 50 | 43 | 26 | 5 |
| 50 | 63 | 53 | 26 | 5 |
| 60 | 73 | 63 | 26 | 5 |
| 70 | 85 | 73 | 26 | 5 |
| 80 | 96 | 83 | 26 | 5 |
| 100 | 118 | 103 | 26 | 5 |



Ver. 04.18

Girella filetto macon

Macon Nut

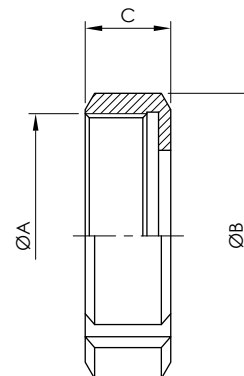
Macon Nutmutter

Ecrou à crans macon

Tuerca macon

 art. **303**

| DN | A | B | C |
|-----|---------|-----|----|
| 40 | M55x3 | 70 | 24 |
| 50 | M67x3 | 80 | 24 |
| 60 | M79x3.5 | 92 | 24 |
| 70 | M90x3.5 | 105 | 24 |
| 80 | M102x4 | 116 | 25 |
| 100 | M125x4 | 140 | 25 |

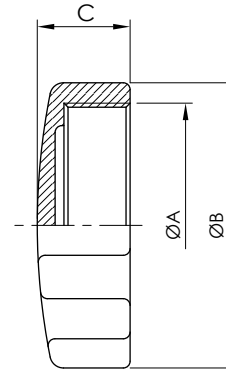


Tappo plastica filetto macon

Plastic endcover macon threaded
 Macon Kunststoff- Verschlusskappe
 Bouchon en plastique filetage macon
 Tapon plastico macon

 art. **304**

| DN | A | B | C |
|----|---------|-----|----|
| 40 | M55x3 | 66 | 23 |
| 50 | M67x3 | 80 | 25 |
| 70 | M90x3.5 | 105 | 30 |



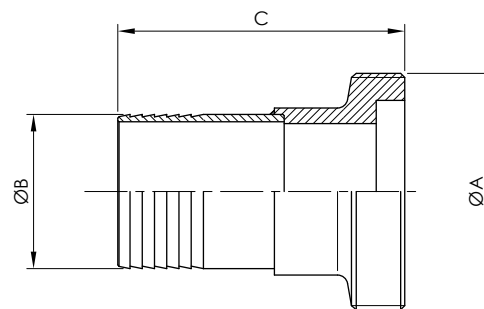
Ver. 04.18

Portagomma filetto macon

Hose male light part macon
 Macon Schlauchgewindestutzen
 Nez fileté à ligaturer macon
 Manguito manguera macho macon

 art. **305**

| DN | A | B | C |
|-----|---------|------|------|
| 40 | M55x3 | 43 | 74.5 |
| 50 | M67x3 | 53 | 79.5 |
| 60 | M79x3.5 | 63.5 | 89 |
| 70 | M90x3.5 | 73 | 94 |
| 80 | M102x4 | 83 | 107 |
| 100 | M125x4 | 103 | 107 |



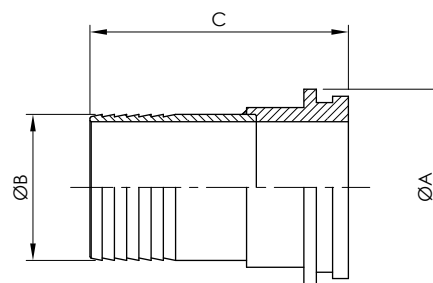
Ver. 04.18

Portagomma maschio macon

Hose liner light macon
 Macon Schlauchkegelstutzen
 Douille à ligaturer macon
 Manguito manguera casquillo macon

 art. **306**

| DN | A | B | C |
|-----|------|------|------|
| 40 | 50 | 43 | 74.5 |
| 50 | 62.5 | 53 | 79.5 |
| 60 | 74 | 63.5 | 86.5 |
| 70 | 85 | 73 | 91.5 |
| 80 | 97 | 83 | 103 |
| 100 | 119 | 104 | 103 |



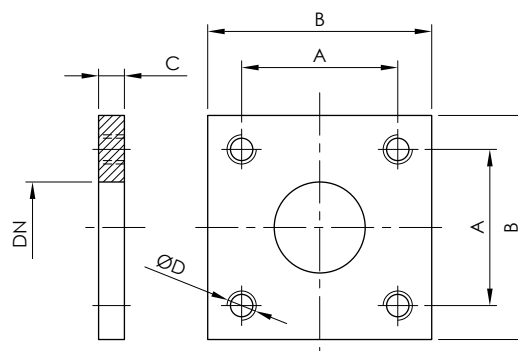
Ver. 04.18

Flangia quadra a fori filettati

Square flange with threaded holes
 Quadratflansch mit Gewinde Löchern
 Bride carrée à souder à trous taraudés
 Brida quadrada con agujeros a rosca

 art. **307**

| DN | A | B | C | D |
|-----|-------|-----|----|-----|
| 40 | 75 | 100 | 8 | M10 |
| 50 | 75 | 100 | 8 | M10 |
| 60 | 82 | 120 | 10 | M12 |
| 70 | 90 | 120 | 10 | M12 |
| 80 | 102.5 | 140 | 10 | M12 |
| 100 | 102.5 | 140 | 10 | M12 |



Flangia quadra a fori lisci

Square flange with round holes

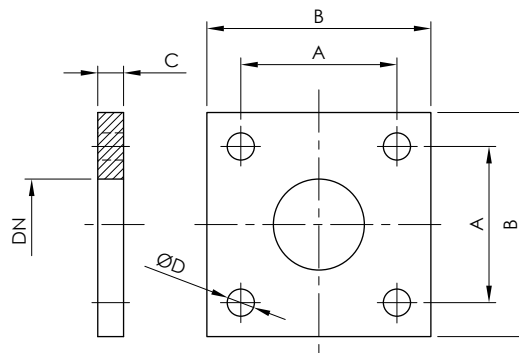
Quadratflansch mit runden Löchern

Bride carrée à souder à trous lisses

Brida cuadrada a soldar con agujeros alisado

 art. **308**

| DN | A | B | C | D |
|-----|-------|-----|----|----|
| 40 | 75 | 100 | 8 | 11 |
| 50 | 75 | 100 | 8 | 11 |
| 60 | 82 | 120 | 10 | 13 |
| 70 | 90 | 120 | 10 | 13 |
| 80 | 102.5 | 140 | 10 | 13 |
| 100 | 102.5 | 140 | 10 | 13 |



Ver. 04.18

Flangia quadra a fori ovali

Square flange with oval holes

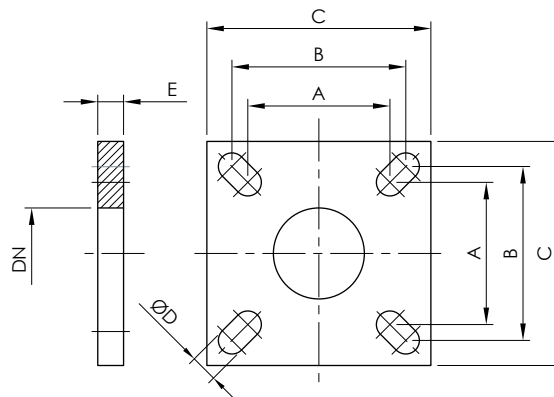
Quadratflansch mit ovalen Löchern

Bride carrée à souder à trous oblongs

Brida cuadrada a soldar con agujeros ovalisado

 art. **309**

| DN | A | B | C | D | E |
|----|----|----|-----|------|---|
| 40 | 60 | 75 | 100 | 12.5 | 5 |
| 50 | 65 | 75 | 100 | 12.5 | 5 |



Ver. 04.18

Tappo macon inox

Blind slip nut

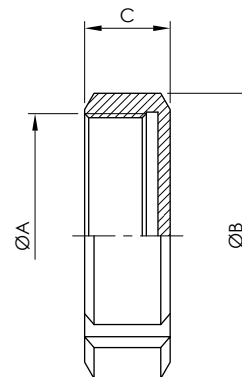
Macon Blindmutter

Bouchon à crans inox

Tapon inox macon

 art. **310**

| DN | A | B | C |
|-----|---------|-----|----|
| 40 | M55x3 | 70 | 22 |
| 50 | M67x3 | 79 | 22 |
| 60M | M79x3.5 | 94 | 24 |
| 60P | M81.5x3 | 94 | 24 |
| 70 | M99x3.5 | 105 | 24 |
| 80 | M102x4 | 117 | 26 |
| 100 | M125x4 | 140 | 26 |



Ver. 04.18

Flangia ovale

Oval flange

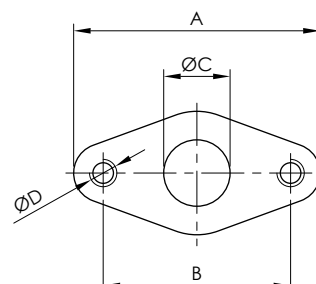
Ovaler Flansch

Bride ovale à souder à trous lisses

Brida ovalada a soldar con agujeros alisado

 art. **311**

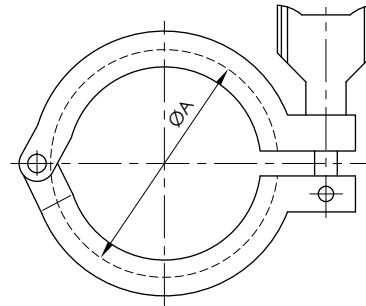
| DN | A | B | C | D | Sp. |
|----|----|----|----|----|-----|
| 15 | 60 | 43 | 13 | M8 | 5 |



| DN | A |
|--------|-------|
| 1/2" | 28.6 |
| 3/4" | 28.6 |
| 1" | 53.9 |
| 1 1/2" | 53.9 |
| 2" | 67.4 |
| 2 1/2" | 80.9 |
| 3" | 94.4 |
| 4" | 122.4 |
| 5" | 158 |
| 6" | 170.4 |
| 8" | 221.2 |
| 10" | 272 |

Morsetto clamp

Heavy duty clamp
Klammer massiv
Collier clamp forgé
Abrazadera clamp

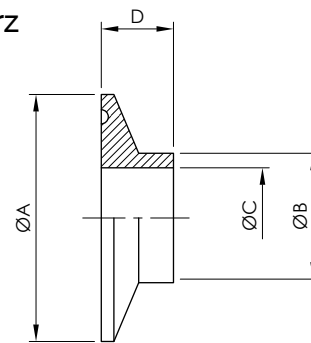
 art. **320**


Ver. 04.18

| DN | A | B | C | D |
|--------|-------|-------|-------|------|
| 1/2" | 25.4 | 12.7 | 9.4 | 12.7 |
| 3/4" | 25.4 | 19.1 | 15.7 | 12.7 |
| 1" | 50.4 | 25.4 | 22.2 | 12.7 |
| 1 1/2" | 50.4 | 38.1 | 34.9 | 12.7 |
| 2" | 63.9 | 50.8 | 47.5 | 12.7 |
| 2 1/2" | 77.4 | 63.5 | 60.2 | 12.7 |
| 3" | 90.9 | 76.2 | 72.9 | 12.7 |
| 4" | 118.9 | 101.6 | 97.4 | 15.9 |
| 5" | 155 | 129 | 123.4 | 22.2 |
| 6" | 166.9 | 152.4 | 146.8 | 22.2 |
| 8" | 217.7 | 203.2 | 197.6 | 22.2 |
| 10" | 268.5 | 254 | 247.2 | 22.2 |

Tronchetto clamp corto

Short welding ferrule
Anschw.-Clampstutzen Zoll, Kurz
Ferrule court à souder
Conexion clamp corto

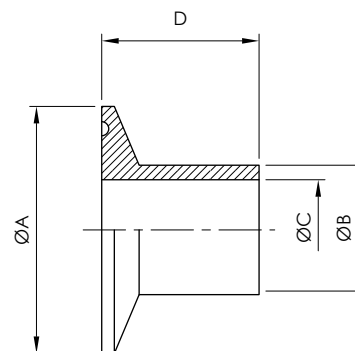
 art. **321**


Ver. 04.18

| DN | A | B | C | D |
|--------|-------|-------|-------|------|
| 1/2" | 25.4 | 12.7 | 9.4 | 28.6 |
| 3/4" | 25.4 | 19.1 | 15.7 | 28.6 |
| 1" | 50.4 | 25.4 | 22.2 | 28.6 |
| 1 1/2" | 50.4 | 38.1 | 34.9 | 28.6 |
| 2" | 63.9 | 50.8 | 47.5 | 28.6 |
| 2 1/2" | 77.4 | 63.5 | 60.2 | 28.6 |
| 3" | 90.9 | 76.2 | 72.9 | 28.6 |
| 4" | 118.9 | 101.6 | 97.4 | 28.6 |
| 5" | 155 | 129 | 123.4 | 28.6 |
| 6" | 166.9 | 152.4 | 146.8 | 38.1 |
| 8" | 217.7 | 203.2 | 197.6 | 38.1 |
| 10" | 268.5 | 254 | 247.2 | 38.1 |

Tronchetto clamp medio

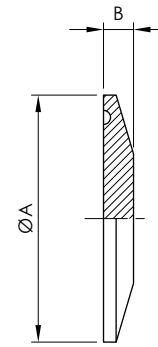
Long welding ferrule
Anschw.-Clampstutzen Zoll
Ferrule à souder
Conexion clamp medio

 art. **322**


| DN | A | B |
|--------|-------|------|
| 1/2" | 25.4 | 6.4 |
| 3/4" | 25.4 | 6.4 |
| 1" | 50.4 | 6.4 |
| 1 1/2" | 50.4 | 6.4 |
| 2" | 63.9 | 6.4 |
| 2 1/2" | 77.4 | 6.4 |
| 3" | 90.9 | 6.4 |
| 4" | 118.9 | 7.9 |
| 5" | 155 | 11.1 |
| 6" | 166.9 | 11.1 |
| 8" | 217.7 | 11.1 |
| 10" | 268.5 | 11.1 |

Tappo clamp

Solid end cap
Clampstöpsel
Obturateur
Tapon clamp

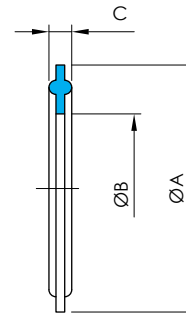


Ver. 04.18

| DN | A | B | C |
|--------|------|-----|-----|
| 1/2" | 22 | 9.6 | 4.5 |
| 3/4" | 22 | 16 | 4.5 |
| 1" | 50.4 | 22 | 5.5 |
| 1 1/2" | 50.4 | 35 | 5.5 |
| 2" | 63.5 | 48 | 5.5 |
| 2 1/2" | 77 | 60 | 5.5 |
| 3" | 90 | 73 | 5.5 |
| 4" | 118 | 97 | 5.5 |
| 5" | 154 | 125 | 5.5 |
| 6" | 167 | 147 | 5.5 |
| 8" | 217 | 200 | 5.5 |

Guarnizione silicone bianco

Silicon Gasket
Silikon Dichtung
Joint de raccord silicone
Junta clamp silicona

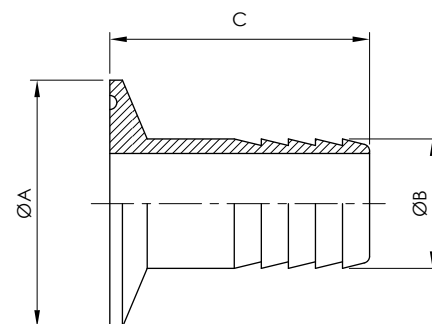


Ver. 04.18

| DN | A | B | C |
|--------|-------|-------|------|
| 1/2" | 25.4 | 12.7 | 38.1 |
| 3/4" | 25.4 | 19 | 38.1 |
| 1" | 50.4 | 25.4 | 42.9 |
| 1 1/2" | 50.4 | 28.1 | 42.9 |
| 2" | 63.9 | 50.8 | 58.7 |
| 2 1/2" | 77.5 | 63.5 | 59.5 |
| 3" | 90.9 | 76.2 | 78.6 |
| 4" | 118.9 | 101.6 | 86.5 |

Portagomma clamp

Clamp hose holder
Schlauchclampstutzen
Clamp à ligaturer
Manguito manguera clamp

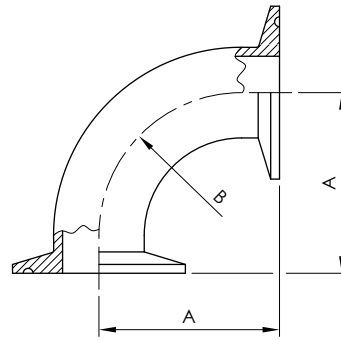


Curva 90° clamp

90° Elbow clamp
 90° Anschw. Clamp-Bogen
 Coude 90° clamp
 Codo 90° clamp

 art. **326**

| DN | A | B |
|-----|-------|-------|
| 1" | 50.8 | 38.1 |
| 1½" | 69.9 | 57.2 |
| 2" | 88.9 | 76.2 |
| 2½" | 108 | 95.3 |
| 3" | 127 | 114.3 |
| 4" | 168.3 | 152.4 |



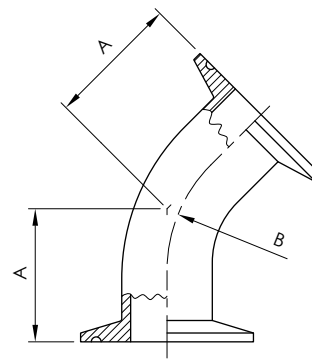
Ver. 04.18

Curva 45° clamp

45° Elbow clamp
 45° Anschw. Clamp-Bogen
 Coude 45° clamp
 Codo 45° clamp

 art. **327**

| DN | A | B |
|-----|------|-------|
| 1" | 28.6 | 38.1 |
| 1½" | 36.5 | 57.2 |
| 2" | 44.5 | 76.2 |
| 2½" | 52.4 | 95.3 |
| 3" | 60.3 | 114.3 |
| 4" | 79.4 | 152.4 |



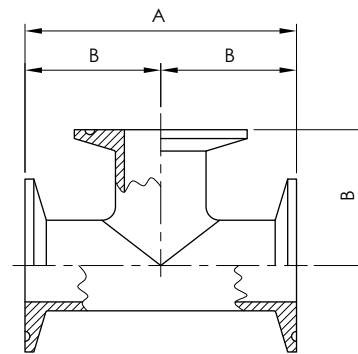
Ver. 04.18

Tee clamp

Tee W. Ferrule
 Clamp- T.Stück
 Té avec sorties clamp
 Té clamp

 art. **328**

| DN | A | B |
|-----|-------|-------|
| 1" | 120.6 | 60.3 |
| 1½" | 139.8 | 69.9 |
| 2" | 177.8 | 88.9 |
| 2½" | 177.8 | 88.9 |
| 3" | 190.6 | 95.3 |
| 4" | 228.6 | 114.3 |



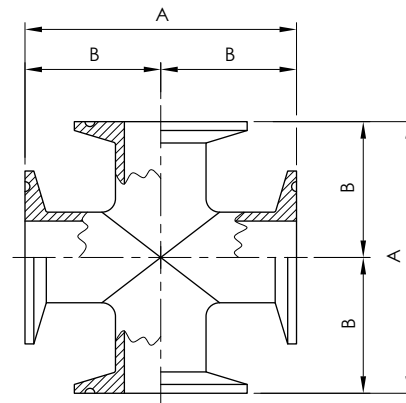
Ver. 04.18

Croce clamp

Ferrule Welding cross
 Anschw. Kreuzstück
 Croix clamp
 Cruz clamp

 art. **329**

| DN | A | B |
|-----|-------|-------|
| 1" | 120.6 | 60.3 |
| 1½" | 139.8 | 69.9 |
| 2" | 177.8 | 88.9 |
| 2½" | 177.8 | 88.9 |
| 3" | 190.6 | 95.3 |
| 4" | 228.6 | 114.3 |

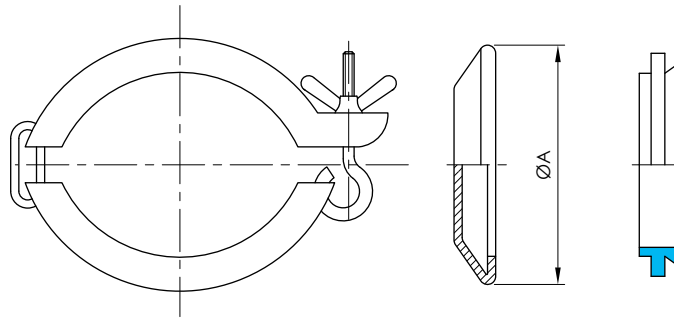


Kit completo di chiusura

Complete garolla fitting
 Komplett Garolla Anschlußstück
 Kit complet garolla
 Kit garolla

 art. **336**

| DN | A |
|-----|-----|
| 40 | 65 |
| 50 | 76 |
| 60 | 87 |
| 70 | 97 |
| 80 | 108 |
| 100 | 129 |
| 120 | 158 |



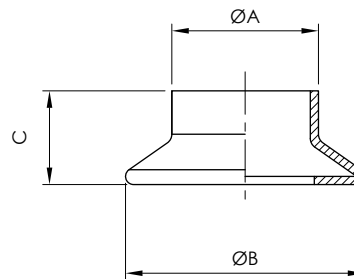
Ver. 04.18

Mezzo raccordo a saldare

Long welding garolla fitting
 Anschw.-Garollastutzen Zoll
 Garolla à souder
 Casquillo garolla soldar

 art. **340**

| DN | A | B | C |
|-----|-----|-----|----|
| 40 | 41 | 65 | 31 |
| 50 | 46 | 76 | 34 |
| 60 | 58 | 87 | 35 |
| 70 | 73 | 97 | 35 |
| 80 | 86 | 108 | 36 |
| 100 | 101 | 129 | 40 |
| 120 | 124 | 158 | 46 |



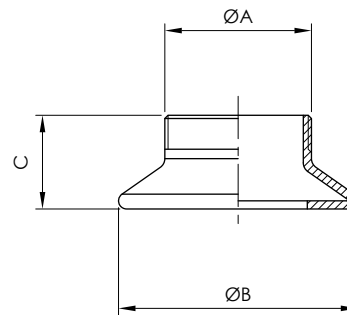
Ver. 04.18

Mezzo raccordo filettato esterno gas

Half garolla fitting BSP ext. thread
 Garollastutzen mit ISO Außengewinde
 Demi-raccord filetage mâle pas gaz
 Casquillo garolla macho gas

 art. **344**

| DN | A | B | C |
|-----|------|-----|----|
| 40 | 1¼"G | 65 | 31 |
| 50 | 1½"G | 76 | 34 |
| 60 | 2"G | 87 | 35 |
| 70 | 2½"G | 97 | 35 |
| 80 | 3"G | 108 | 36 |
| 100 | 4"G | 129 | 40 |
| 120 | 5"G | 158 | 46 |



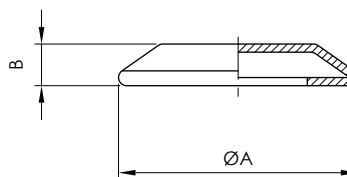
Ver. 04.18

Tappo

Garolla cap
 Klemmstöpsel
 Bouchon
 Tapon

 art. **348**

| DN | A | B |
|-----|-----|----|
| 40 | 65 | 19 |
| 50 | 76 | 19 |
| 60 | 87 | 19 |
| 70 | 97 | 19 |
| 80 | 108 | 19 |
| 100 | 129 | 20 |
| 120 | 158 | 25 |



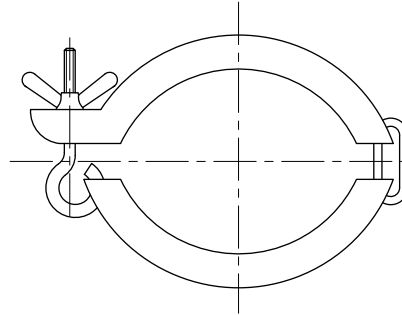
Le informazioni contenute in questo documento sono puramente indicative e non impegnative, l'azienda si riserva il diritto di modificarle senza obbligo di preavviso.
 The informations provided in this document are intended for informational purposes only and are subject to change without notice.

Morsetto

Clamp for connectors
 Klemmen für Anschluss
 Etau de raccord garolla
 Abrazadera garolla

 art. **352**

| DN |
|-----|
| 40 |
| 50 |
| 60 |
| 70 |
| 80 |
| 100 |
| 120 |



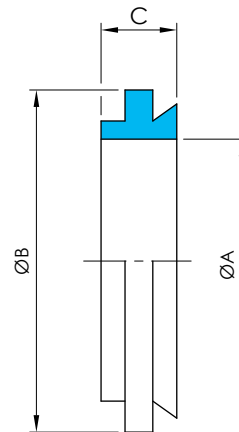
Ver. 04.18

Guarnizione

Sealing ring
 Dichtung
 Joint
 Junta

 art. **352B**

| DN | A | B | C |
|-----|-----|-----|----|
| 40 | 40 | 62 | 14 |
| 50 | 50 | 72 | 14 |
| 60 | 60 | 82 | 14 |
| 70 | 70 | 94 | 14 |
| 80 | 80 | 104 | 14 |
| 100 | 100 | 124 | 14 |
| 120 | 120 | 154 | 17 |



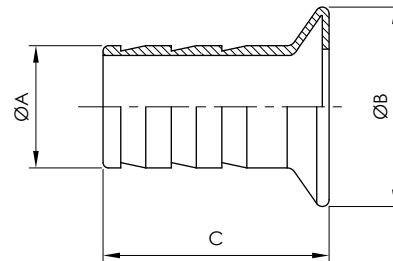
Ver. 04.18

Portagomma con attacco morsetto

Garolla hose holder
 Halber Klemmanschluss
 Raccord à ligaturer garolla
 Manguitos mangueras

 art. **360**

| DN | A | B | C |
|-----|-----|-----|-----|
| 40 | 40 | 65 | 80 |
| 50 | 50 | 76 | 90 |
| 60 | 60 | 87 | 95 |
| 70 | 70 | 97 | 100 |
| 80 | 80 | 108 | 120 |
| 100 | 100 | 129 | 140 |
| 120 | 120 | 158 | 150 |



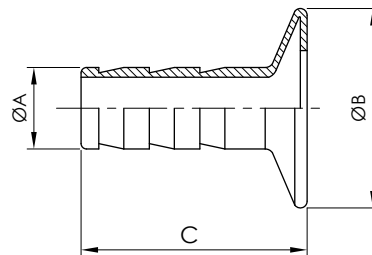
Ver. 04.18

Mezzo raccordo portagomma di riduzione

Garolla hose holder for reduction
 Reduziert- Schlauchgarollastutzen
 Raccord à ligaturer de réduction
 Manguito manguera de reduccion

 art. **364**

| DN | A | B | C |
|-----|-----------------------------|-----|-----|
| 40 | 40x20-40x25-40x30-40x35 | 65 | 80 |
| 50 | 50x20-50x25-50x30-50x35 | 76 | 90 |
| 60 | 60x30-60x35-60x40-60x50 | 87 | 95 |
| 70 | 70x35-70x40-70x50-70x60 | 97 | 100 |
| 80 | 80x40-80x50-80x60-80x70 | 108 | 120 |
| 100 | 100x50-100x60-100x70-100x80 | 129 | 140 |
| 120 | 120x80-120x100 | 158 | 150 |



Riduzione a morsetto

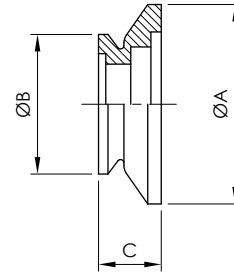
Garolla reduction

Garolla-Reduzierstück

Réduction à deux raccords garolla

Reduccion garolla

| DN | A | B | C |
|---------|-----|-----|----|
| 50÷40 | 76 | 65 | 55 |
| 60÷50 | 87 | 76 | 60 |
| 70÷50 | 98 | 76 | 62 |
| 70÷60 | 98 | 87 | 64 |
| 80÷70 | 108 | 98 | 68 |
| 100÷70 | 129 | 98 | 70 |
| 100÷80 | 129 | 108 | 75 |
| 120÷100 | 158 | 129 | 85 |



art. 368

Ver. 04.18

TEE a morsetto

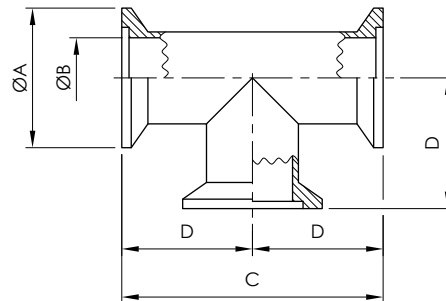
Tee shaped garolla fitting

Garolla-T.Stück

Té garolla

Té garolla

| DN | A | B | C | D |
|-----|-----|-----|-----|-----|
| 40 | 65 | 37 | 114 | 73 |
| 50 | 76 | 49 | 156 | 78 |
| 60 | 87 | 57 | 170 | 85 |
| 70 | 97 | 66 | 184 | 92 |
| 80 | 108 | 76 | 220 | 110 |
| 100 | 129 | 98 | 240 | 120 |
| 120 | 158 | 116 | 290 | 145 |



art. 372

Ver. 04.18

Gomito a morsetto con portagomma

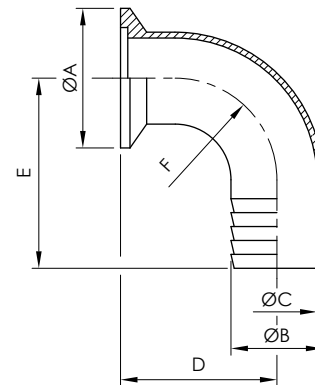
Garolla elbow with rubber hose fitting

90° Garolla-Bogen mit Schlauchtülle

Coude 90° à ligaturer avec raccord

Codo garolla con manguera

| DN | A | B | C | D | E | F |
|-----|-----|-----|-----|-----|-----|-----|
| 40 | 65 | 40 | 35 | 73 | 90 | 60 |
| 50 | 76 | 50 | 45 | 92 | 100 | 78 |
| 60 | 87 | 60 | 55 | 109 | 120 | 90 |
| 70 | 97 | 70 | 64 | 122 | 140 | 105 |
| 80 | 108 | 80 | 74 | 140 | 160 | 120 |
| 100 | 129 | 100 | 93 | 177 | 200 | 152 |
| 120 | 158 | 120 | 112 | 185 | 240 | 152 |



art. 376

Ver. 04.18

Curva con attacchi a morsetto

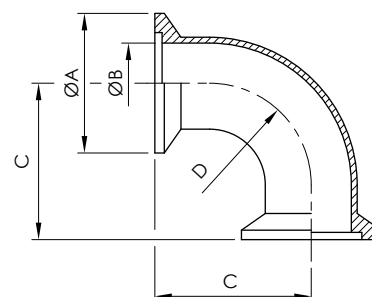
Garolla elbow

90° Bogen mit Garolla-Anschlußen

Coude 90° garolla

Codo garolla

| DN | A | B | C | D |
|-----|-----|-----|-----|-----|
| 40 | 65 | 37 | 79 | 48 |
| 50 | 76 | 49 | 91 | 57 |
| 60 | 87 | 57 | 111 | 76 |
| 70 | 97 | 66 | 130 | 95 |
| 80 | 108 | 76 | 150 | 114 |
| 100 | 129 | 98 | 192 | 152 |
| 120 | 158 | 125 | 198 | 152 |



art. 380